



Agnes hall stand Sarah Kay

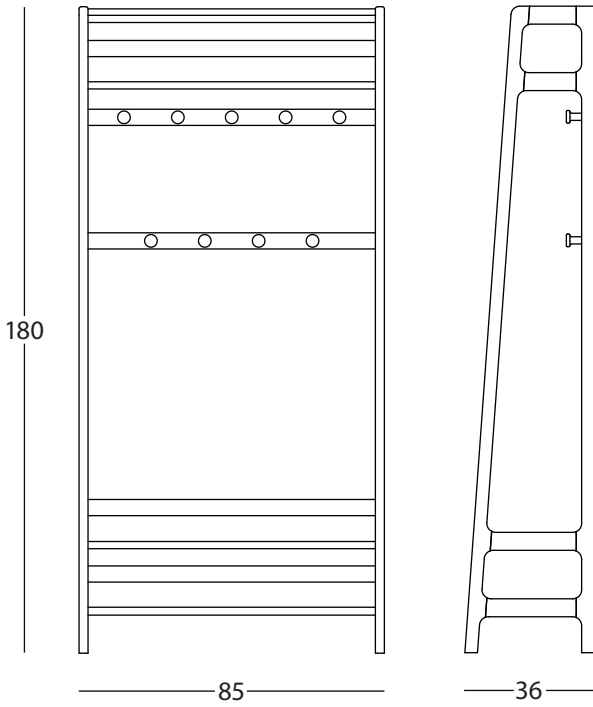
A new addition to the popular Agnes collection by Kay+Stemmer, the freestanding Agnes hall stand is similar in form and profile to the high shelving unit. With a notably softened look, the design retains its aesthetic beauty from whichever angle you look at it.

The hall stand features a low slatted shelf for shoes, one single low shelf and two high shelves. The central section is recessed with two cross slats at the back, the higher of which has five coat hooks, the lower with four. This utilitarian addition to the collection is ideal for hallways, it features elegant radius edges and gently tapered forms. Made from solid wood of either oak or walnut.

Made in the EU.



1



Agnes hall stand

Sarah Kay

1 Hall stand