



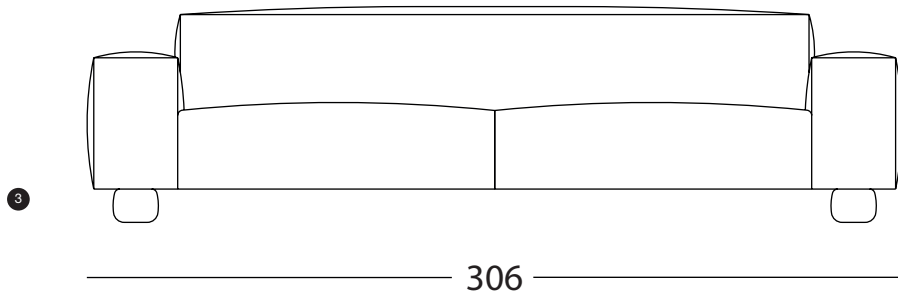
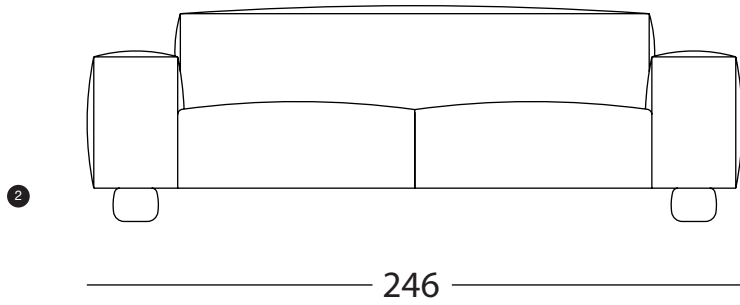
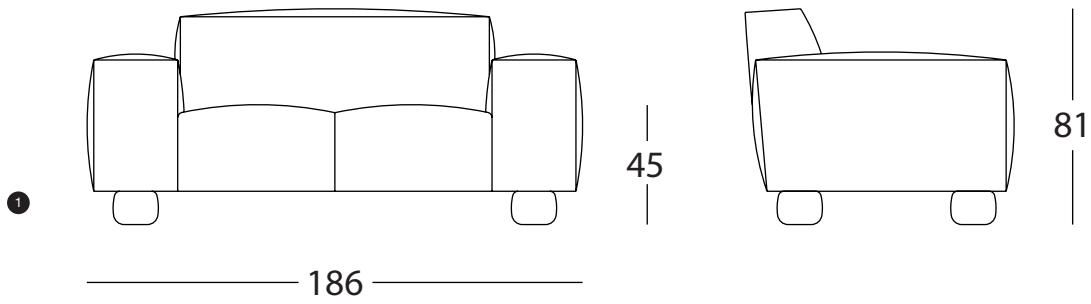
Macduff Donna Wilson

A boxy sofa design that is substantial in size and well-grounded on oversized oak feet.

Well-proportioned and attractive, the focus for this design was on providing a deep-layered kind of comfort. With distinctive details such as the bulbous oak feet that were inspired by the shape of a ball of wool, or the tactile seam stitching; this piece is both idiosyncratic and imaginative.

Made at SCP's specialist upholstery factory in Norfolk, England, using 100% natural and sustainable materials. With a frame made from FSC beech and softwood ply, with oak feet. Upholstered with wool interliner, hessian, Typar, jute webbing, wool felt, Cocolok, needled wool and HD wool.





Macduff

Donna Wilson

- 1 Sofa (2 seat)
- 2 Sofa (3 seat)
- 3 Sofa (4 seat)