



Ada Matthew Hilton

An authoritative armchair design that balances comfort with a delicate hand-drawn aesthetic.

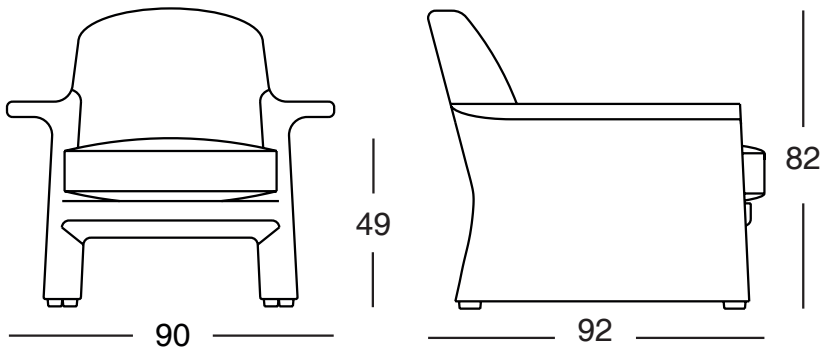
An armchair with good proportions to cradle the human frame, generous in width. With a clear lineage to a number of his previous designs for SCP, this is a cultivated chair by Hilton, assured in its form, with curves and elongated lines that display a purposeful self-control.

Made at SCP's specialist upholstery factory in Norfolk, England, using 100% natural and sustainable materials.

With a frame made from FSC beech and softwood ply. Upholstered with wool interliner, hessian, Typar, jute webbing, wool felt, Cocolok, needled wool and HD wool. With a feather cushion.



1



Ada

Matthew Hilton

1 Armchair