



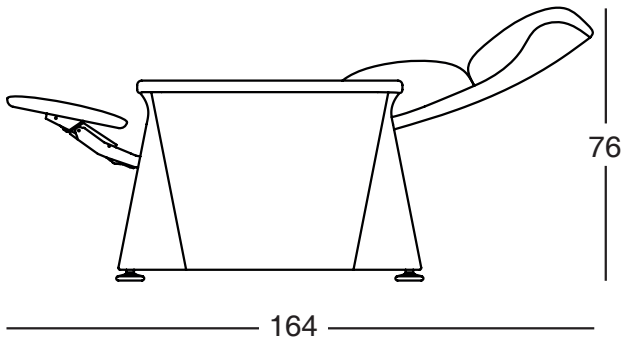
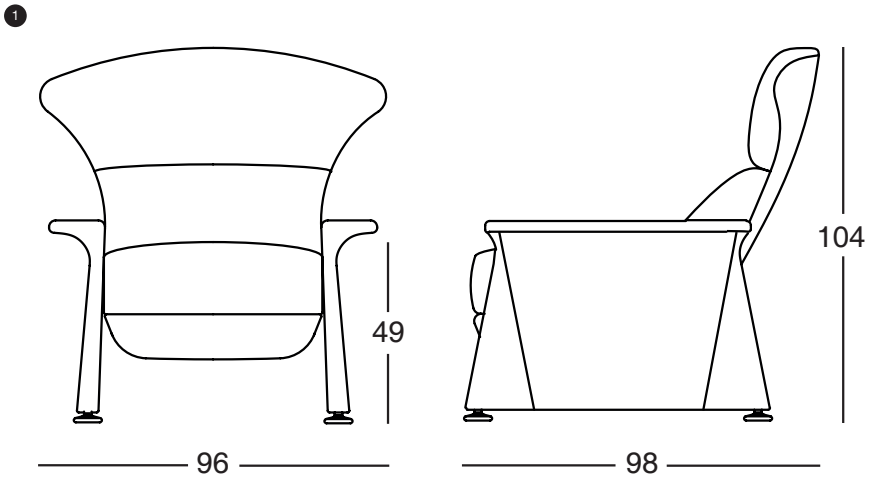
## Ewelina Matthew Hilton

A reclining armchair for a new generation that eschews the idea of formality.

A generously proportioned design with an electric powered mechanism that articulates the chair into a reclining position. It sits with poise on a relatively large footprint and has been designed with ultimate comfort in mind. The gently curving back and two arms that are mirrors of each other give the chair a very balanced look, and it looks equally good in reclined or upright positions.

Upholstered in 95% natural and sustainable materials with FSC European beech and plywood frame.





---

Ewelina  
Matthew Hilton

1 Reclining Armchair