



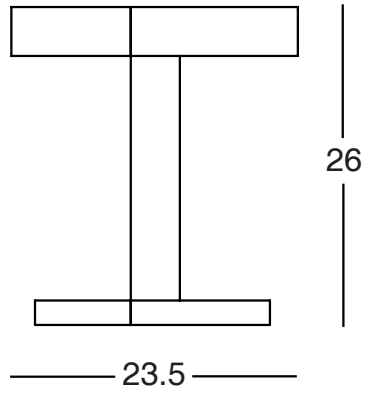
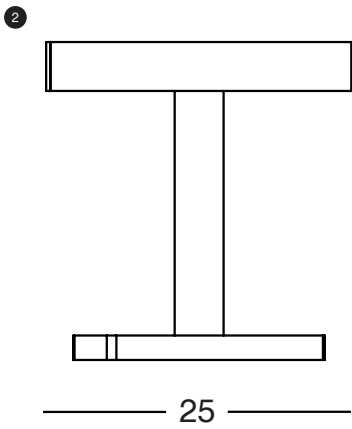
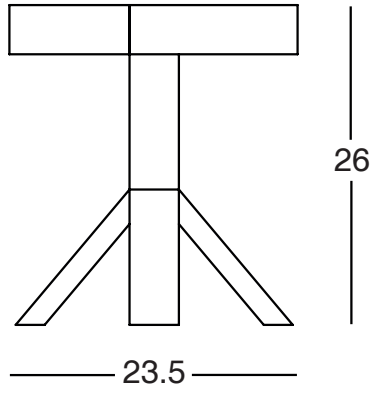
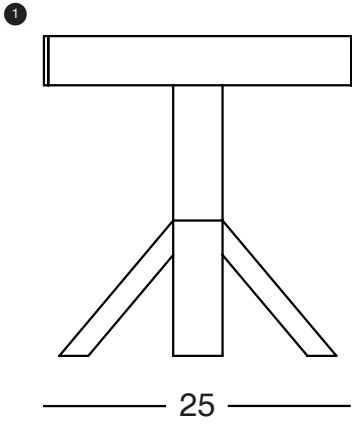
Left & Right Ilse Crawford & Oscar Peña

A pair of small characterful side tables made in two different ways, both with hand-drawn circular tops. They are designed to capture the spirit and magic of Japanese joinery and to appear more hand-made than machine made.

First created for a special collection of furniture, made in collaboration with Ishinomaki Laboratory. These diminutive designs sit very low and are ideal for placing next to a sofa or lounge chair. They are also small enough to live on a table, a shelf or a windowsill, and ideal to place all manner of objects on.

FSC European walnut, finished with Osmo oil.





Left & Right Ilse Crawford & Oscar Peña

- 1 Left Side Table
- 2 Right Side Table