



Sax

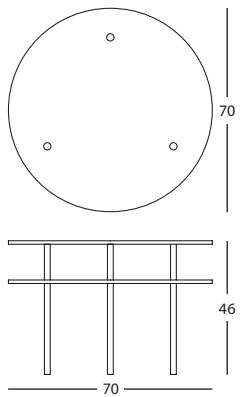
Terence Woodgate

A very practical, understated and refined design. The Sax coffee table is made from chrome or bronze plated steel legs and two sheets of toughened 12mm clear glass. A simple, utilitarian example of the classic modernist principles.

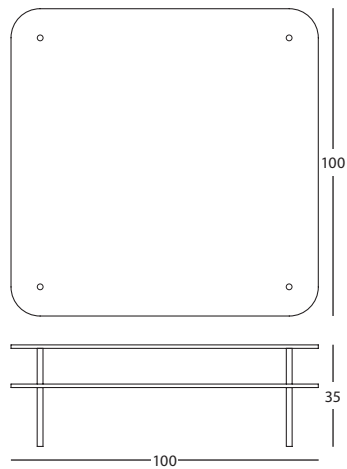
Made in EU and England.



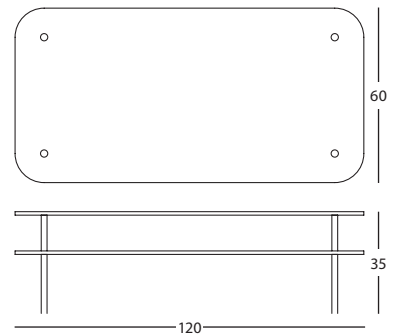
1



2



3



Sax

Terence Woodgate

- 1 Circular side table
- 2 Square low table
- 3 Rectangular low table