



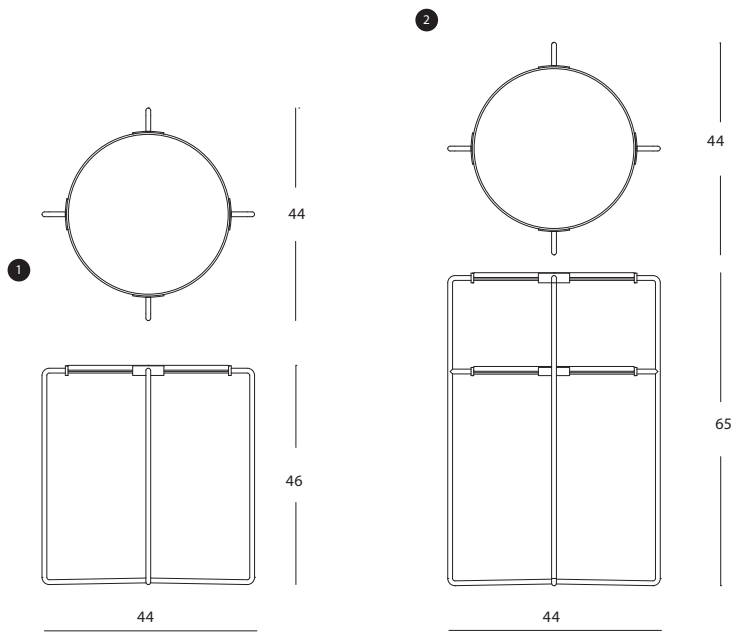
Side table Jasper Morrison

Originally manufactured by SCP in 1986 and re-issued for 2014, the side table by Jasper Morrison was his first product to go into production. An exercise in refinement, it is made from formed steel and glass, with brazed brass joints. The table comes with a black powder coated frame and sandblasted or low-iron glass finishes are available.

There are two versions, a high table with two circular glass tiers and a low table with one circular glass tier. The simple form, along with the subtle combinations of material and finish give this design a sense of purity and grace.

Made in the EU and Norfolk, England.





Side table

Jasper Morrison

- 1 Side table one-tier
- 2 Side table two-tier