



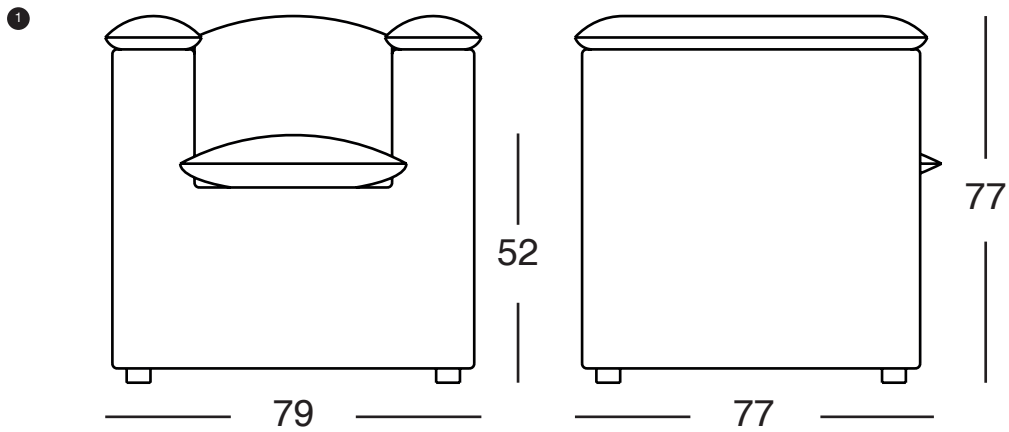
Topper Philippe Malouin

An almost square club chair that deconstructs the idea of cushions with the application of fixed feather toppers on all its horizontal surfaces.

This concise design has a resolutely modern look, yet a novel character all its own. Sketched into life after Malouin saw a well-executed mattress topper detail, the intention of this piece is to combine a traditional sprung timber frame with a simple form and clear visual references to comfort; the feather filled toppers.

Made at SCP's specialist upholstery factory in Norfolk, England, using 100% natural and sustainable materials. With a frame made from FSC beech and softwood ply. Upholstered with wool interliner, hessian, Typar, jute webbing, wool felt, Cocolok, needled wool and fixed feather cushions.





Topper

Philippe Malouin

1 Armchair